



**Cook Defence Systems**

# CVR(T) TR10 202 Single Pin Replaceable Pad

Cook Defence Systems is a world leading authority in the design, development and manufacture of track systems and running gear for armoured fighting vehicles.

For over 70 years we have delivered innovative track solutions with exceptional performance for the toughest environments.



Our comprehensive range of single and double pin track systems is deployed and battle-proven on armoured vehicles around the world.

Our products are underpinned by state-of-the-art research and development, rigorous testing and ISO9001 quality assurance.

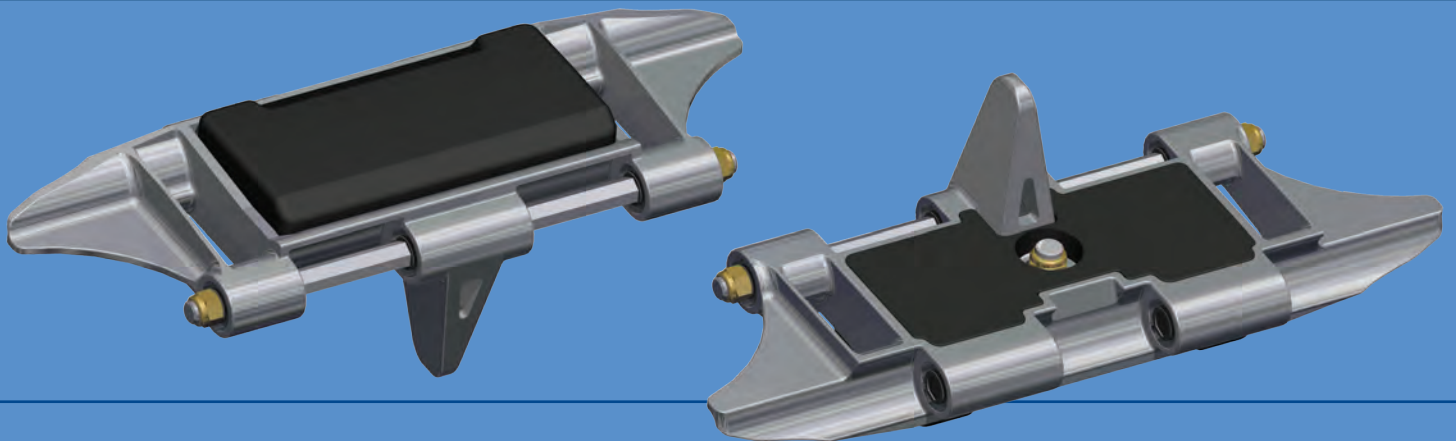
- **Cook Defence Systems design**
- **Trialled on Cook Defence Systems vehicles**
- **Track, sprockets, road wheels, top rollers and idlers**

**a World Class** Company



## Cook Defence Systems

# CVR(T) TR10 202 Single Pin Replaceable Pad



- **High-integrity cast steel construction for strength and survivability**
- **Replaceable road pad maximises track life**
- **Increased road pad surface area delivers maximum durability**
- **Radiographic inspection ensures total reliability**
- **Low-weight design increases vehicle capability**
- **Simple track pin and road pad locking systems require minimal maintenance**

Cook Defence Systems has supplied more track links for CVR(T) than for any other vehicle.

When road pads wear out on integral pad CVR(T) tracks, the whole track set must be replaced.

By allowing replacement of road pads only, Cook Defence Systems' TR10 202 single pin replaceable pad track system **minimises cost** to the user.



Nothing contained within this document, explicit or implied is intended to extend the warranty or performance of the product. Cook Defence Systems is a continual improvement company and product details may vary from time to time.

© Cook Defence Systems 2013.

### Cook Defence Systems

Stanhope Co Durham DL13 2YR England

**Phone** +44 (0)1388 528 248 **Fax** +44 (0)1388 528 879

**Web** [www.cookdefencesystems.co.uk](http://www.cookdefencesystems.co.uk)

**Email** [sales@cookdefencesystems.co.uk](mailto:sales@cookdefencesystems.co.uk)