

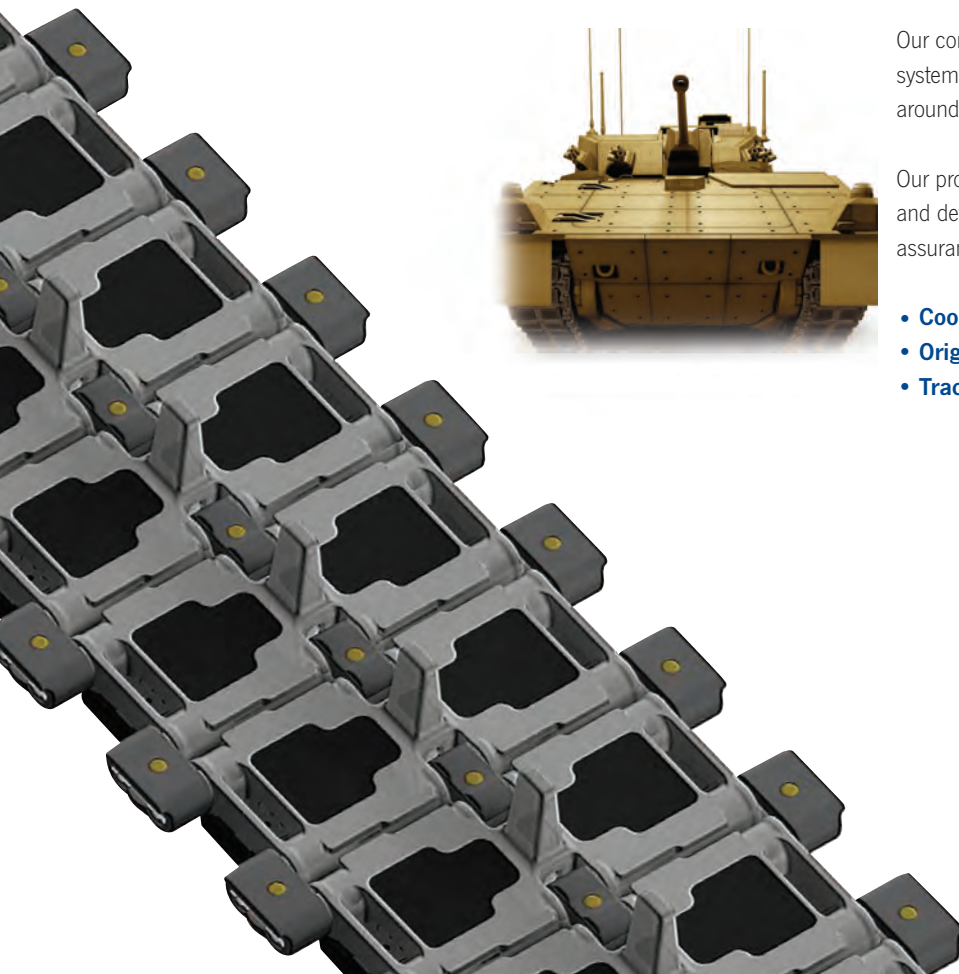


Cook Defence Systems

SCOUT SV TR40 407 Double Pin

Cook Defence Systems is a world leading authority in the design, development and manufacture of track systems and running gear for armoured fighting vehicles.

For over 70 years we have delivered innovative track solutions with exceptional performance for the toughest environments.



Our comprehensive range of single and double pin track systems is deployed and battle-proven on armoured vehicles around the world.

Our products are underpinned by state-of-the-art research and development, rigorous testing and ISO9001 quality assurance.

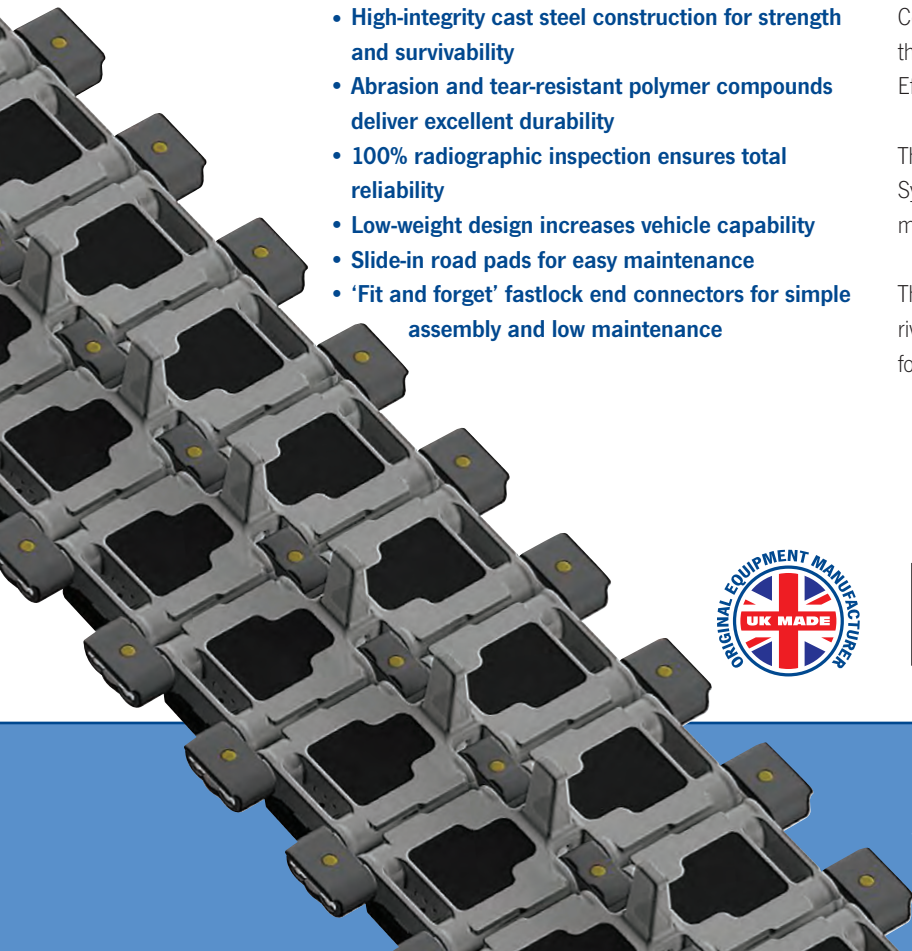
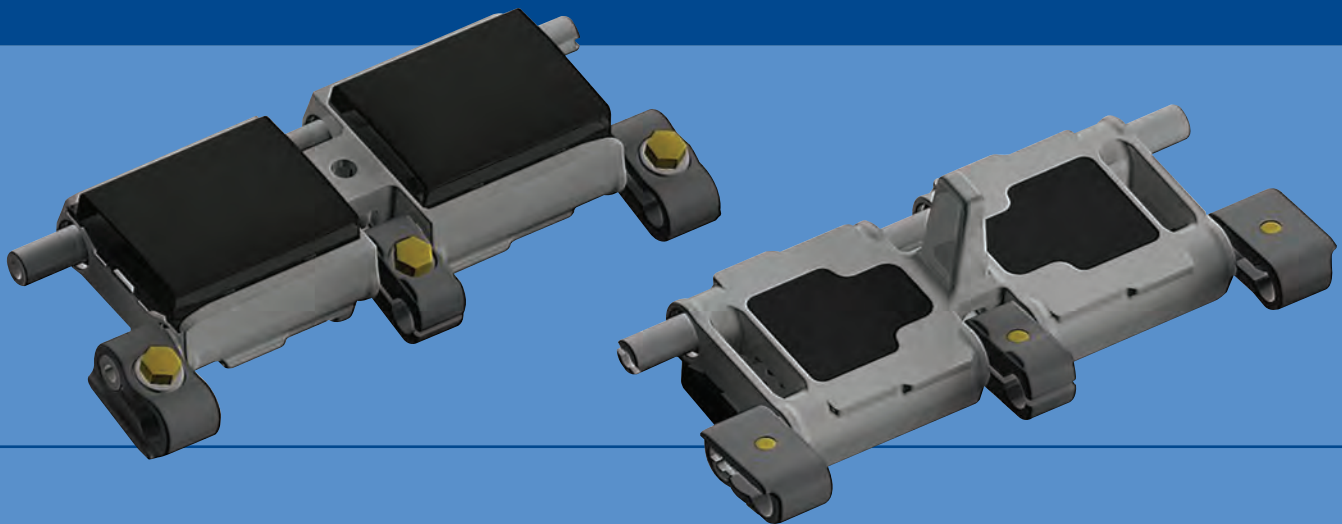
- **Cook Defence Systems design**
- **Original Equipment Manufacturer**
- **Track, sprockets road wheels, top rollers and idlers**

a World Class Company



Cook Defence Systems

SCOUT SV TR40 407 Double Pin



- High-integrity cast steel construction for strength and survivability
- Abrasion and tear-resistant polymer compounds deliver excellent durability
- 100% radiographic inspection ensures total reliability
- Low-weight design increases vehicle capability
- Slide-in road pads for easy maintenance
- 'Fit and forget' fastlock end connectors for simple assembly and low maintenance

Cook Defence Systems designed the TR40 407 track to meet the specific requirements of the British Army's Future Rapid Effects System (FRES) SCOUT Specialist Vehicle project.

The TR40 407 shares all the unique features of Cook Defence Systems's TR60 track, proven on Challenger 2 against multiple mission criteria.

The TR40 407 delivers a **significant weight saving** over rival track systems and variants of the TR40 are also suitable for the ASCOD and Puma vehicles.



Nothing contained within this document, explicit or implied is intended to extend the warranty or performance of the product. Cook Defence Systems is a continual improvement company and product details may vary from time to time.

© Cook Defence Systems 2013.

Cook Defence Systems

Stanhope Co Durham DL13 2YR England

Phone +44 (0)1388 528 248 Fax +44 (0)1388 528 879

Web www.cookdefencesystems.co.uk

Email sales@cookdefencesystems.co.uk