

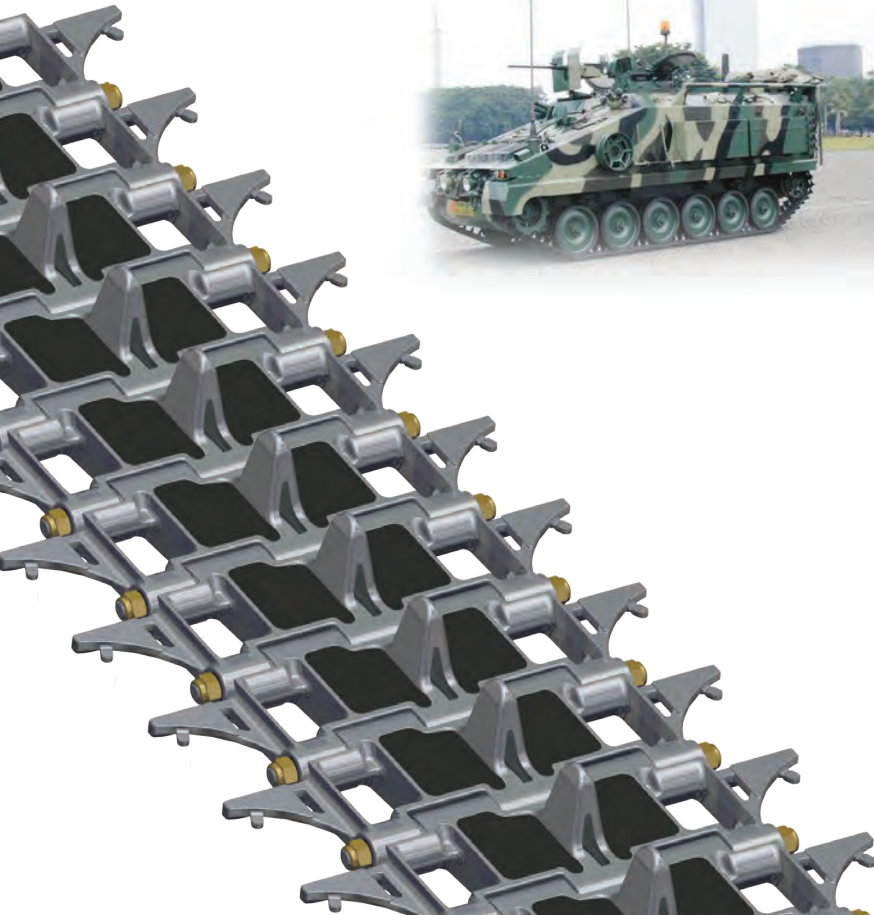


Cook Defence Systems

Stormer TR15 201 Single Pin Integral Pad

Cook Defence Systems is a world leading authority in the design, development and manufacture of track systems and running gear for armoured fighting vehicles.

For over 70 years we have delivered innovative track solutions with exceptional performance for the toughest environments.



Our comprehensive range of single and double pin track systems is deployed and battle-proven on armoured vehicles around the world.

Our products are underpinned by state-of-the-art research and development, rigorous testing and ISO9001 quality assurance.

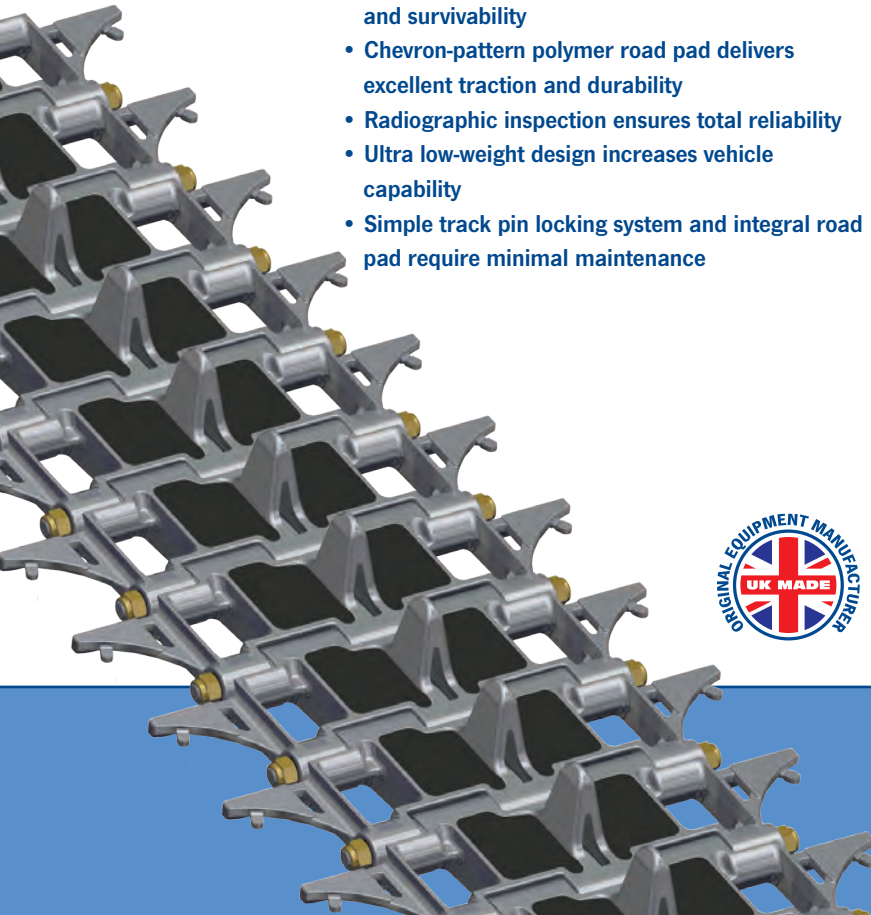
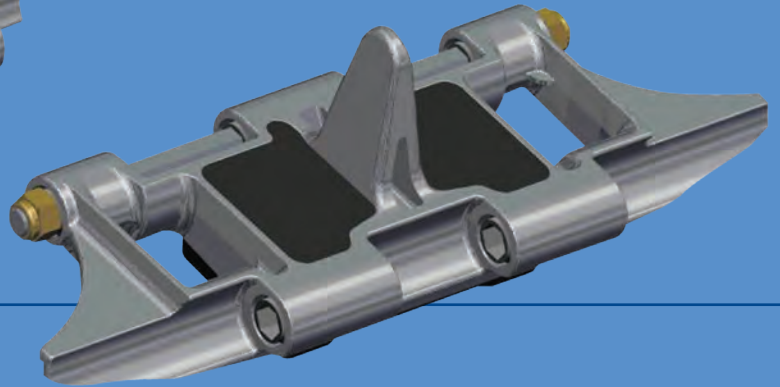
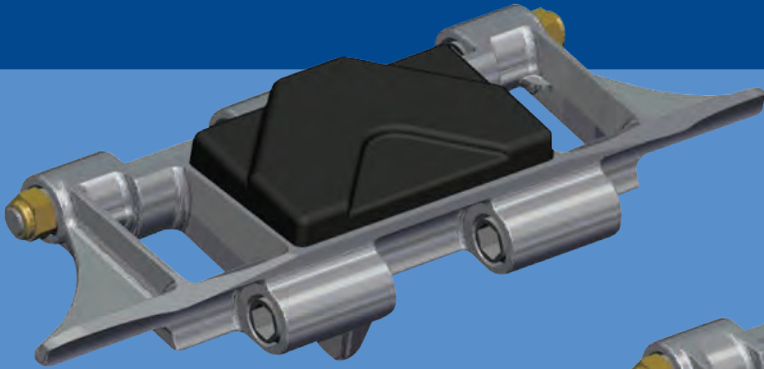
- **Original Equipment Manufacturer**
- **Sole approved supplier**
- **Track, sprockets, road wheels, top rollers and idlers**

a World Class Company



Cook Defence Systems

Stormer TR15 201 Single Pin Integral Pad



- **High-integrity cast steel construction for strength and survivability**
- **Chevron-pattern polymer road pad delivers excellent traction and durability**
- **Radiographic inspection ensures total reliability**
- **Ultra low-weight design increases vehicle capability**
- **Simple track pin locking system and integral road pad require minimal maintenance**

Cook Defence Systems' TR15 201 single pin integral pad track link is specifically designed to meet the requirements of the Stormer vehicle.

The track has been in use on all variants of Stormer **since the vehicle came into service** and has been proven against multiple mission criteria.

As the **Original Equipment Manufacturer**, Cook Defence Systems is the only supplier of this track to have been **approved by the vehicle design authority**.



Nothing contained within this document, explicit or implied is intended to extend the warranty or performance of the product. Cook Defence Systems is a continual improvement company and product details may vary from time to time.

© Cook Defence Systems 2013.

Cook Defence Systems

Stanhope Co Durham DL13 2YR England

Phone +44 (0)1388 528 248 **Fax** +44 (0)1388 528 879

Web www.cookdefencesystems.co.uk

Email sales@cookdefencesystems.co.uk