

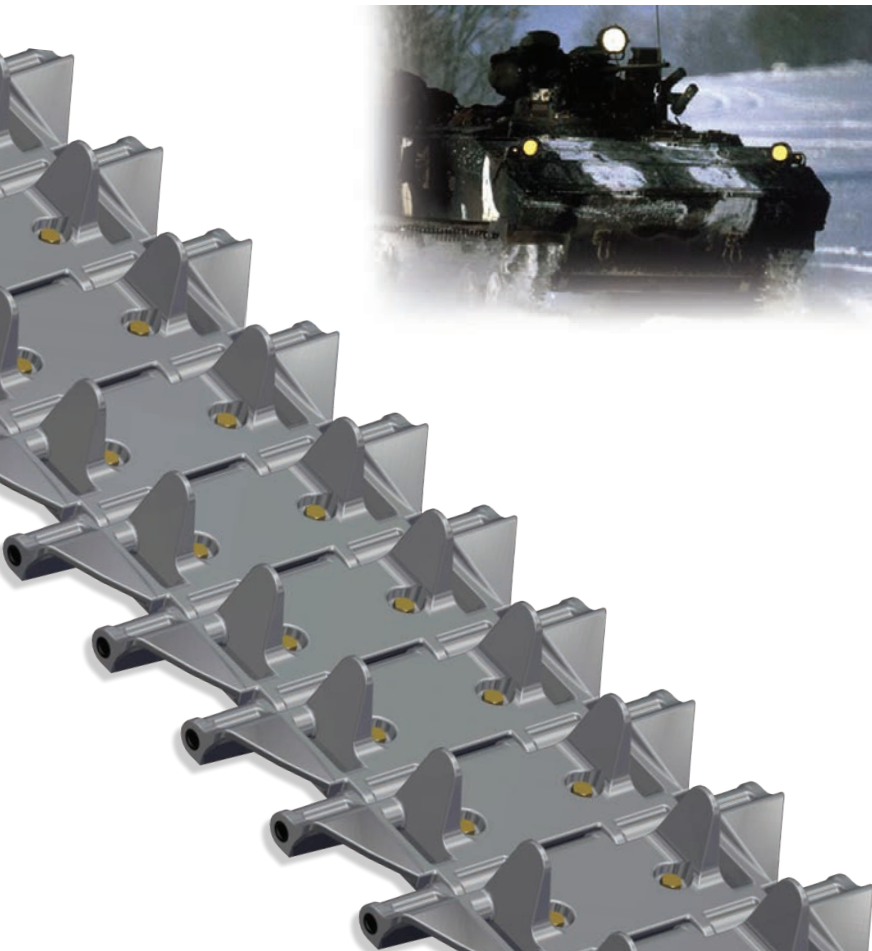


Cook Defence Systems

AMX10 TR15 101 Single Pin

Cook Defence Systems is a world leading authority in the design, development and manufacture of track systems and running gear for armoured fighting vehicles.

For over 70 years we have delivered innovative track solutions with exceptional performance for the toughest environments.



Our comprehensive range of single and double pin track systems is deployed and battle-proven on armoured vehicles around the world.

Our products are underpinned by state-of-the-art research and development, rigorous testing and ISO9001 quality assurance.

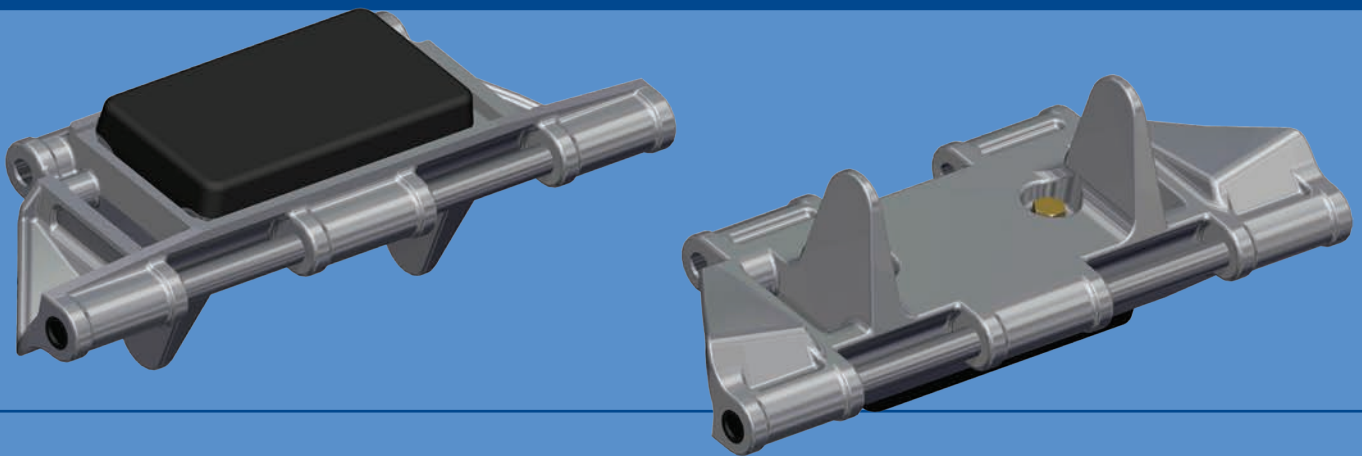
- **Approved equipment manufacturer**
- **Supplied to armed forces worldwide**
- **Track, sprockets, road wheels, top rollers and idlers**

a World Class Company



Cook Defence Systems

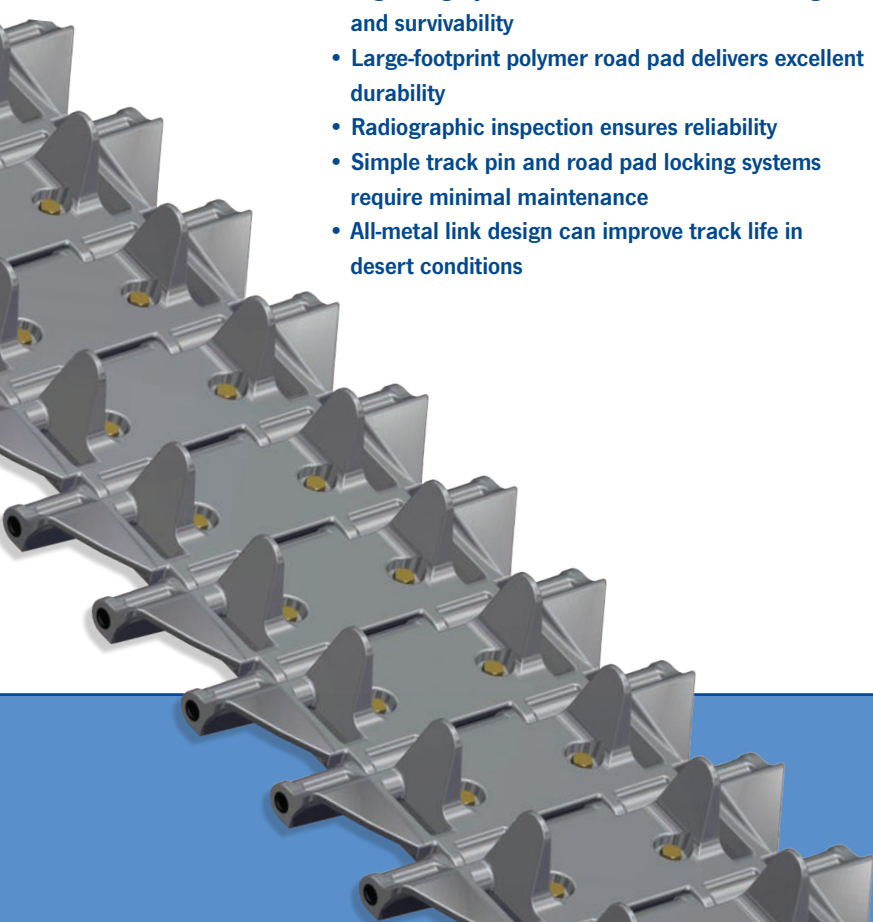
AMX10 TR15 101 Single Pin



- **High-integrity cast steel construction for strength and survivability**
- **Large-footprint polymer road pad delivers excellent durability**
- **Radiographic inspection ensures reliability**
- **Simple track pin and road pad locking systems require minimal maintenance**
- **All-metal link design can improve track life in desert conditions**

Cook Defence Systems supplies the TR15 101 single pin track to users of the AMX10 Infantry Fighting Vehicle around the world.

Track of this design has been in use on AMX10 since the vehicle entered service and has been proven against multiple mission criteria.



Nothing contained within this document, explicit or implied is intended to extend the warranty or performance of the product. Cook Defence Systems is a continual improvement company and product details may vary from time to time.

© Cook Defence Systems 2013.

Cook Defence Systems

Stanhope Co Durham DL13 2YR England

Phone +44 (0)1388 528 248 **Fax** +44 (0)1388 528 879

Web www.cookdefencesystems.co.uk

Email sales@cookdefencesystems.co.uk