



Cook Defence Systems

CVR(T) TR10 207 Single Pin 'Bigfoot' Pad

Cook Defence Systems is a world leading authority in the design, development and manufacture of track systems and running gear for armoured fighting vehicles.

For over 70 years we have delivered innovative track solutions with exceptional performance for the toughest environments.



Our comprehensive range of single and double pin track systems is deployed and battle-proven on armoured vehicles around the world.

Our products are underpinned by state-of-the-art research and development, rigorous testing and ISO9001 quality assurance.

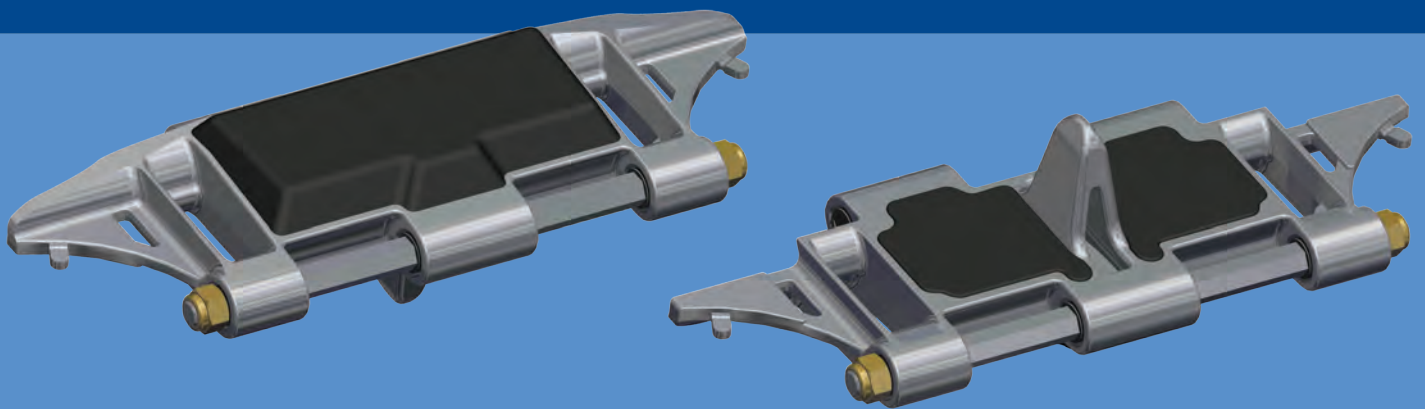
- **Cook Defence Systems design**
- **Trialled on Cook Defence Systems vehicles**
- **Track, sprockets, road wheels, top rollers and idlers**

a World Class Company



Cook Defence Systems

CVR(T) TR10 207 Single Pin 'Bigfoot' Pad

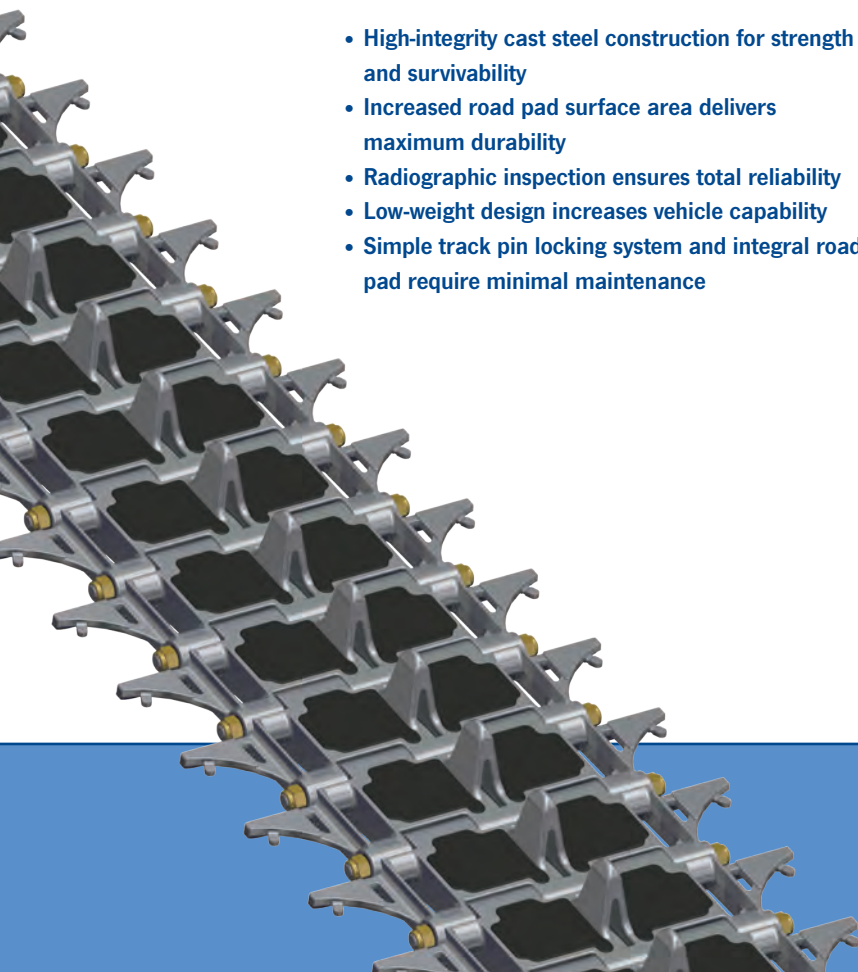


- **High-integrity cast steel construction for strength and survivability**
- **Increased road pad surface area delivers maximum durability**
- **Radiographic inspection ensures total reliability**
- **Low-weight design increases vehicle capability**
- **Simple track pin locking system and integral road pad require minimal maintenance**

Cook Defence Systems has supplied more track links for CVR(T) than for any other vehicle.

The increase in weight of some CVR(T) variants from 8 to 12 tonnes, combined with a 50% engine power increase, has reduced the track life on these vehicles.

With its large road pad surface area, Cook Defence Systems' TR10 207 single pin 'bigfoot' pad track system **maximises track durability.**



Nothing contained within this document, explicit or implied is intended to extend the warranty or performance of the product. Cook Defence Systems is a continual improvement company and product details may vary from time to time.

© Cook Defence Systems 2013.

Cook Defence Systems

Stanhope Co Durham DL13 2YR England

Phone +44 (0)1388 528 248 **Fax** +44 (0)1388 528 879

Web www.cookdefencesystems.co.uk

Email sales@cookdefencesystems.co.uk