

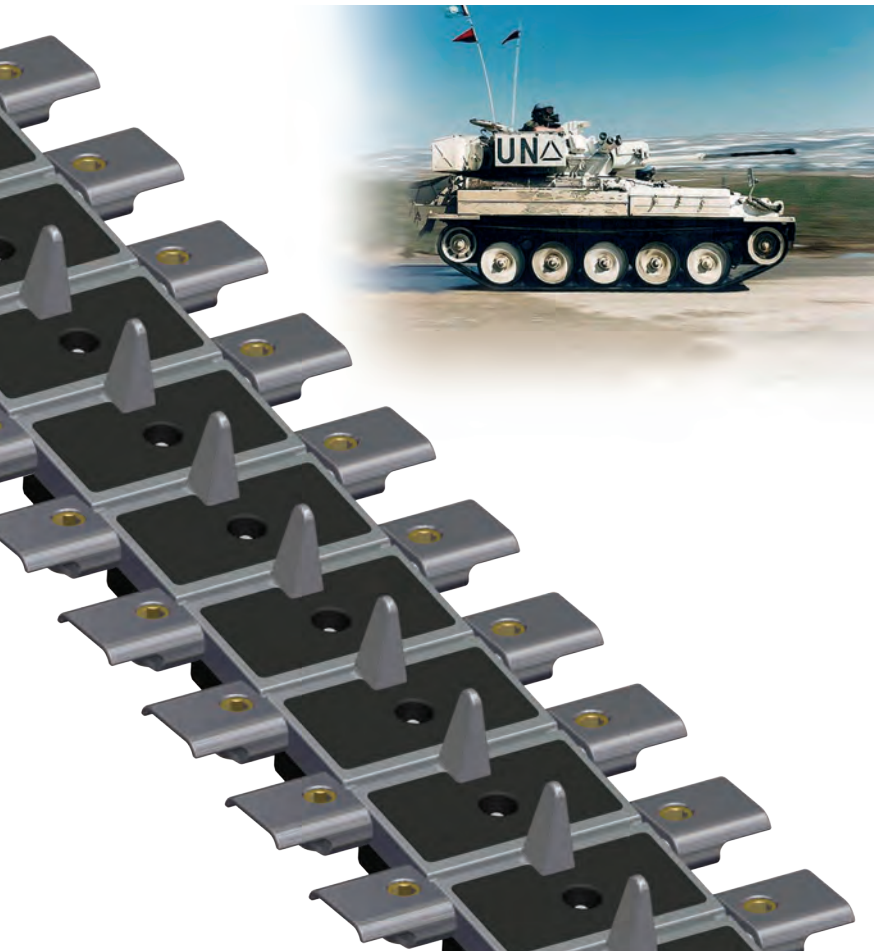


Cook Defence Systems

CVR(T) TR10 303 Double Pin Replaceable Pad

Cook Defence Systems is a world leading authority in the design, development and manufacture of track systems and running gear for armoured fighting vehicles.

For over 70 years we have delivered innovative track solutions with exceptional performance for the toughest environments.



Our comprehensive range of single and double pin track systems is deployed and battle-proven on armoured vehicles around the world.

Our products are underpinned by state-of-the-art research and development, rigorous testing and ISO9001 quality assurance.

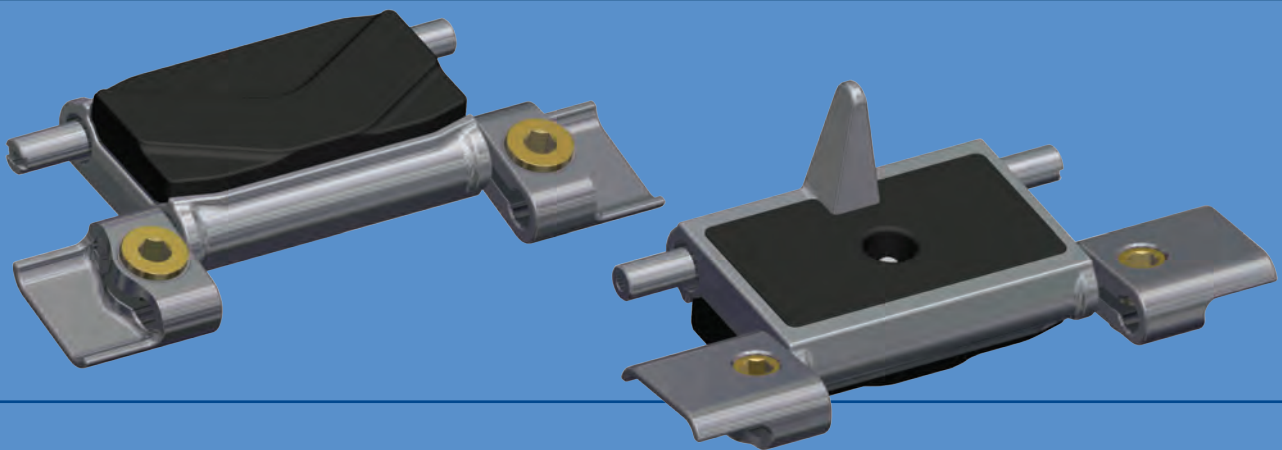
- **Cook Defence Systems design**
- **Trialled on Cook Defence Systems vehicles**
- **Track, sprockets, road wheels, top rollers and idlers**

a World Class Company



Cook Defence Systems

CVR(T) TR10 303 Double Pin Replaceable Pad

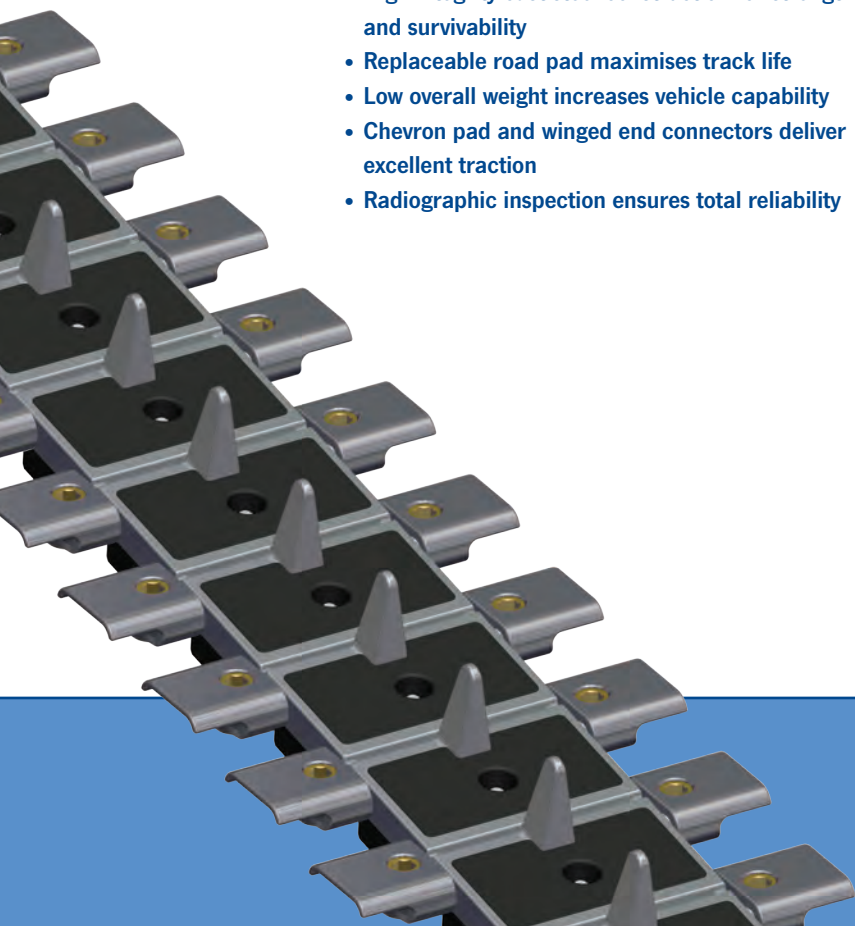


- High-integrity cast steel construction for strength and survivability
- Replaceable road pad maximises track life
- Low overall weight increases vehicle capability
- Chevron pad and winged end connectors deliver excellent traction
- Radiographic inspection ensures total reliability

Cook Defence Systems has supplied more track links for CVR(T) than for any other vehicle.

Double pin tracks offer **heavy-duty performance and high durability**. Cook Defence Systems TR10 303 double pin track system combines these qualities with the **increased track life** provided by a replaceable pad, while delivering an **overall weight saving**.

The track is currently fitted to BAE Systems' CV21 concept reconnaissance vehicle.



Nothing contained within this document, explicit or implied is intended to extend the warranty or performance of the product. Cook Defence Systems is a continual improvement company and product details may vary from time to time.

© Cook Defence Systems 2013.

Cook Defence Systems

Stanhope Co Durham DL13 2YR England

Phone +44 (0)1388 528 248 **Fax** +44 (0)1388 528 879

Web www.cookdefencesystems.co.uk

Email sales@cookdefencesystems.co.uk