



Cook Defence Systems

Warrior TR30 201 Single Pin

Cook Defence Systems is a world leading authority in the design, development and manufacture of track systems and running gear for armoured fighting vehicles.

For over 70 years we have delivered innovative track solutions with exceptional performance for the toughest environments.



Our comprehensive range of single and double pin track systems is deployed and battle-proven on armoured vehicles around the world.

Our products are underpinned by state-of-the-art research and development, rigorous testing and ISO9001 quality assurance.

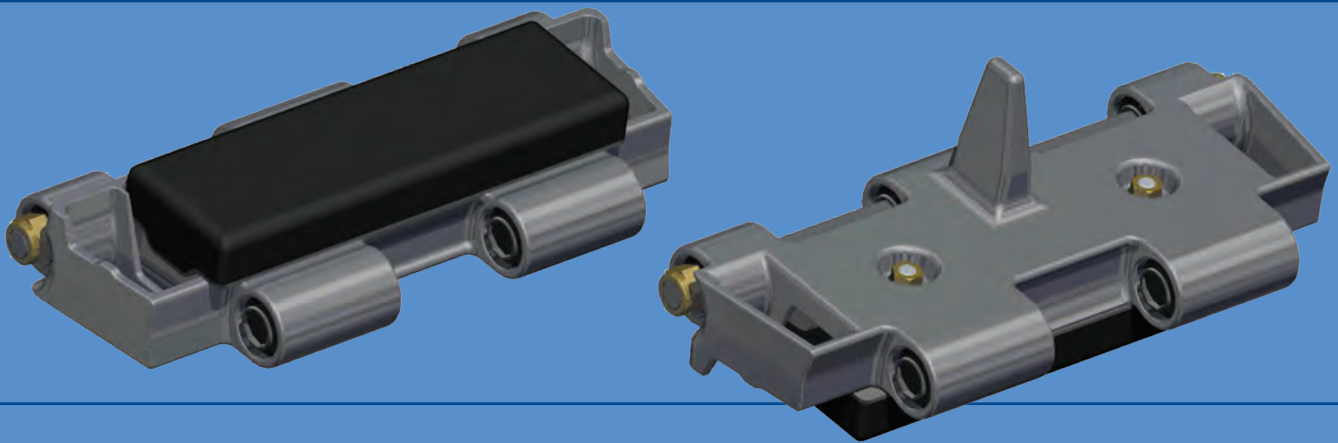
- **Original Equipment Manufacturer**
- **Sole approved supplier**
- **Track, sprockets, road wheels, top rollers and idlers**

a World Class Company



Cook Defence Systems

Warrior TR30 201 Single Pin



- **High-integrity cast steel construction for strength and survivability**
- **Large-footprint polymer road pad delivers excellent durability**
- **100% radiography ensures total reliability**
- **Low-weight design increases vehicle capability**
- **Simple track pin and road pad locking systems require minimal maintenance**

Cook Defence Systems' TR30 201 single pin replaceable pad track system is the **only approved track** for the Warrior Infantry Fighting Vehicle (IFV).

The track has been in use on all variants of Warrior **since the vehicle came into service** and has been proven against multiple mission criteria.

The TR30 201 boasts **outstanding strength, durability and reliability** while requiring minimal maintenance.



Nothing contained within this document, explicit or implied is intended to extend the warranty or performance of the product. Cook Defence Systems is a continual improvement company and product details may vary from time to time.

© Crown Copyright/MOD, image from www.photos.mod.uk. Tank images reproduced with the permission of the Controller of Her Majesty's Stationery Office.

© Cook Defence Systems 2013.

Cook Defence Systems

Stanhope Co Durham DL13 2YR England

Phone +44 (0)1388 528 248 **Fax** +44 (0)1388 528 879

Web www.cookdefencesystems.co.uk

Email sales@cookdefencesystems.co.uk